

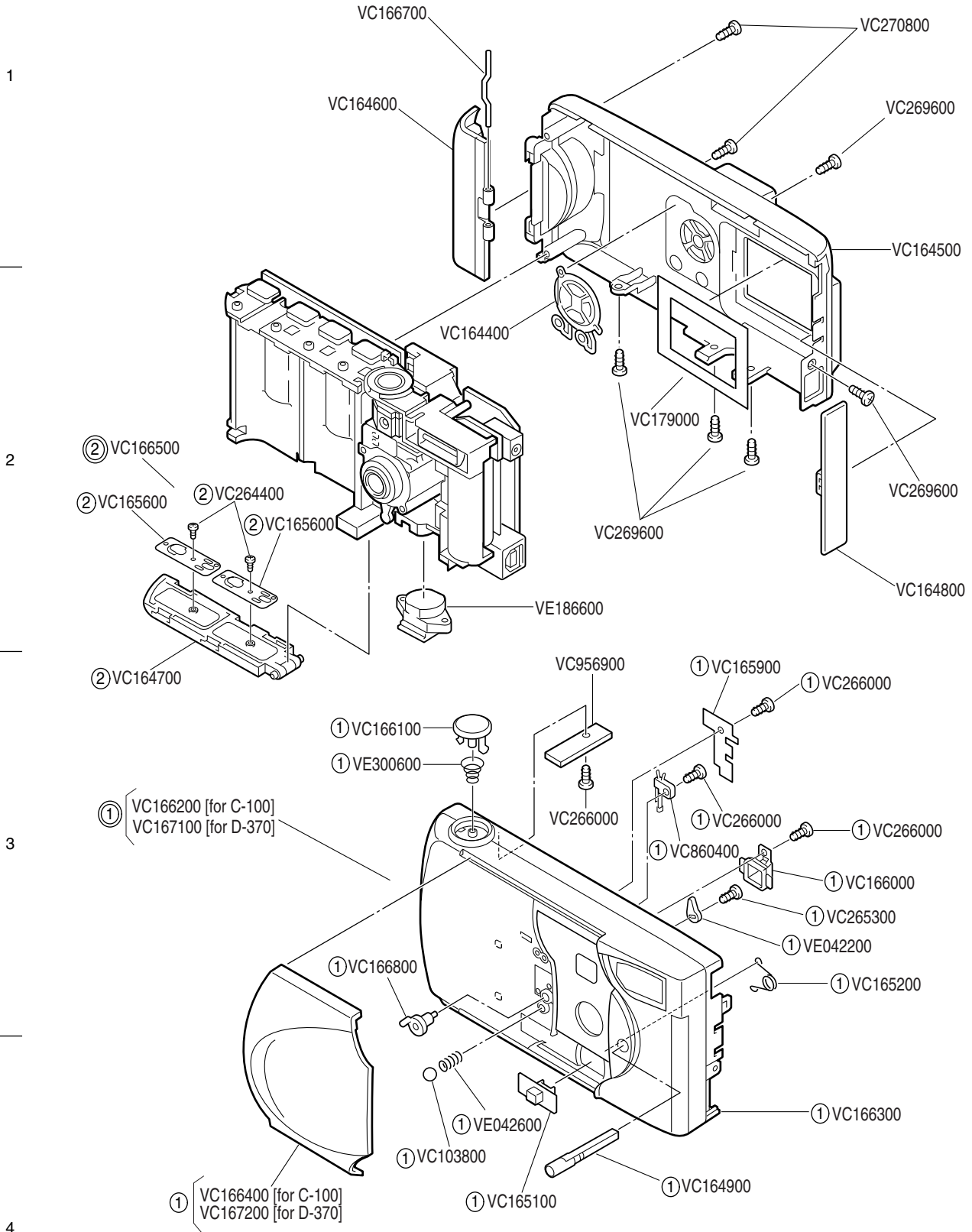
A

B

C

D

## Cabinet 1



## EXPLODED PARTS DIAGRAM

MODEL	FIG.
C-100/D-370	1/2
OLYMPUS OPTICAL CO.,LTD.TOKYO,JAPAN	

Ver.1/Rev.3  
2001.12

A

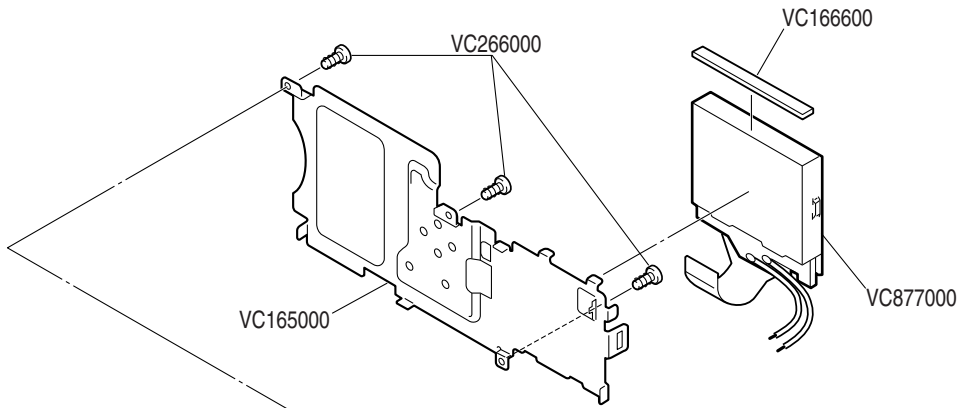
B

C

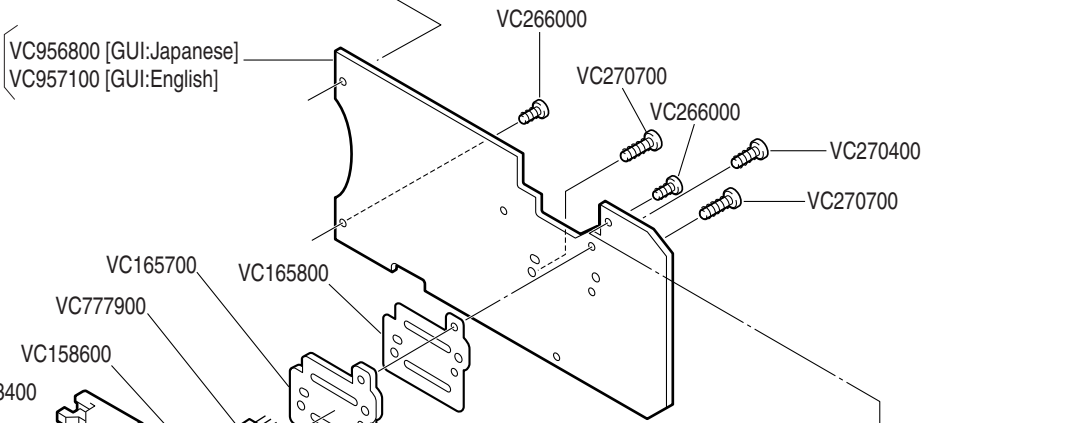
D

Cabinet 2

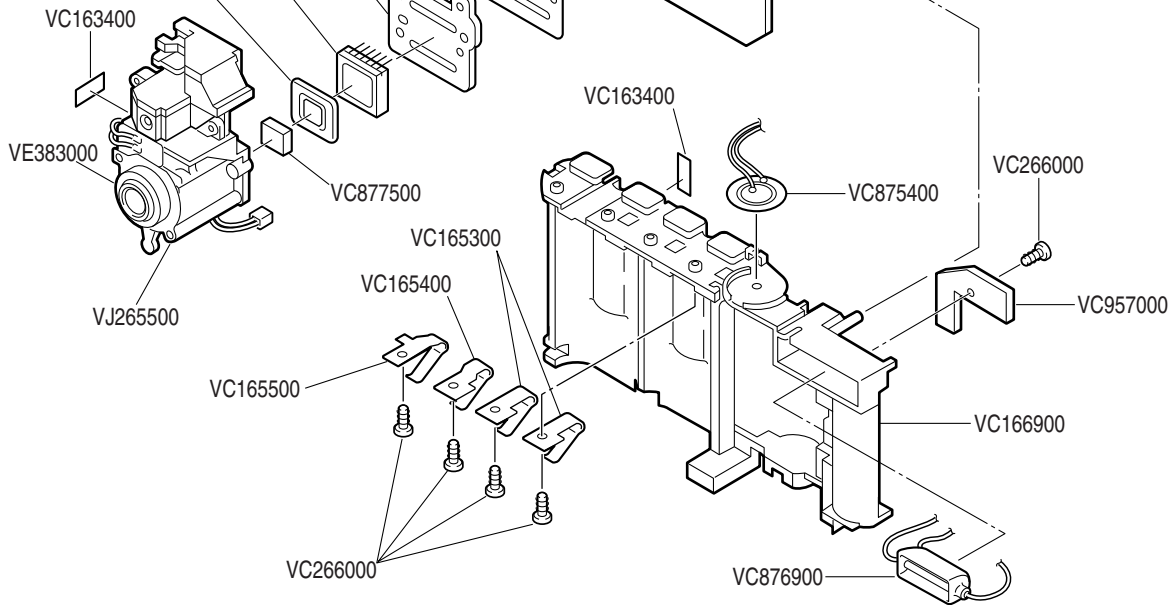
1



2



3



4

EXPLODED PARTS DIAGRAM

MODEL	FIG.
C-100/D-370	2/2
OLYMPUS OPTICAL CO.,LTD.TOKYO,JAPAN	

Ver.1/Rev.4  
2001.12

## PARTS LIST

C-100/D-370

REF NO	PARTS NO	DESCRIPTION	REMARKS	NOTE
	VC103800	BALL,CLICK	1-B4	
	VC158600	SPACER	2-A3	
	VC163400	SPACER WIRE ST	2-A3	
	VC164400	BUTTON SELECT	1-C2	NEW
	VC164500	CABINET BACK	1-D1	NEW
	VC164600	COVER CARD	1-B1	NEW
	VC164700	COVER BATTERY	1-A3	NEW
	VC164800	COVER JACK	1-D2	NEW
	VC164900	DEC SELF	1-C4	NEW
	VC165000	HOLDER MONITOR	2-B2	NEW
	VC165100	KNOB MACRO	1-C4	NEW
	VC165200	SPRING MACRO	1-D3	NEW
	VC165300	TERMINAL BAT A	2-B3	NEW
	VC165400	TERMINAL BAT B	2-B3	NEW
	VC165500	TERMINAL BAT C	2-C3	NEW
	VC165600	TERMINAL BAT D	1-A2	NEW
	VC165700	MOUNTING,LENS	2-A2	NEW
	VC165800	SPACER INSULATOR	2-B2	NEW
	VC165900	COV BARRIER SW	1-C3	NEW
	VC166000	COVER VF	1-D3	NEW
	VC166100	ASSY,BUTTON SHUTTER	1-B3	NEW
	VC166200	COMPL,CABI FRONT [C-100]	1-A3	NEW
	VC166300	ASSY,CABI FRONT	1-D4	NEW
	VC166400	ASSY,COVER LENS [C-100]	1-B4	NEW
	VC166500	COMPL,COVER BATT	1-A2	NEW
	VC166600	PAD MONITOR SIDE	2-D1	NEW
	VC166700	SHAFT DOOR	1-B1	NEW
	VC166800	LEVER PROTECT	1-B3	NEW
	VC166900	ASSY,HOLDER CHASSIS-SV	2-D3	NEW
	VC167100	COMPL,CABI FRONT [D-370]	1-A3	NEW
	VC167200	ASSY,COVER LENS [D-370]	1-B4	NEW
	VC179000	SPACER MONITOR	1-C2	NEW
	VC264400	SCR S-TPG PAN PCS 1.7X2.5	1-A2	
	VC265300	SCR S-TPG PAN PCS 1.7X4	1-C3	
	VC266000	SCR S-TPG PAN PCS 1.7X3.5	1-C3	
	VC266000	SCR S-TPG PAN PCS 1.7X3.5	2-B4	
	VC269600	SCR S-TPG PAN PCS 1.7X4.5	1-C2	
	VC270400	SCR PAN PCS 1.7X2.5F	2-C3	
	VC270700	SCR S-TPG PAN PCS 1.7X6E	2-C2	NEW
	VC270800	SCR S-TPG PAN PCS 1.7X6.0	1-D1	NEW
	VC777900	IC RJ24J1AA0PT	2-B3	NEW
	VC860400	SWITCH,LEAF 1P-1T	1-C3	
	VC875400	PIEZO BUZZER PS1550L40N	2-C3	
	VC876900	COMPL,REFLECTOR	2-C4	NEW
	VC877000	COMPL,LCD	2-D2	NEW
	VC877500	OPTICAL FILTER	2-B3	NEW

## PARTS LIST

C-100/D-370

REF NO	PARTS NO	DESCRIPTION	REMARKS	NOTE
	VC956800	COMPL PWB,CP-1 [GUI:Japanese]	2-B2	NEW
	VC956900	COMPL PWB,TB-2	1-C3	NEW
	VC957000	COMPL PWB,TB-1	2-D3	NEW
	VC957100	COMPL PWB,CP-1 [GUI:English]	2-B2	NEW
	VE042200	ARM PROTECT	1-D3	
	VE042600	SPRING COMP COVER L	1-B4	
	VE186600	STAND	1-C2	
	VE300600	SPRING SHUTTER	1-B3	
	VE383000	LH PLATE2	2-A3	NEW
	VJ265500	LENS(ASSY)	2-A3	NEW
CN110	VC877300	SOCKET,USB 4P TO USB	CP-1	NEW
CN141	VC858800	SOCKET,CARD 22P TO SMART MEDIA	CP-1	
IC101	VC735900	IC MB86833PMT2-G-BND CPU	CP-1	
IC102	VC774400	IC MB87J4470PBT-G ASIC	CP-1	
IC103	VC771800	IC HY57V651620BTC-10S SDRAM	CP-1	
IC103	VC771700	IC M2V64S40DTP-7 SDRAM	CP-1	
IC103	VC778000	IC HY57V641620HGT-H SDRAM	CP-1	NEW
IC111	VC777800	IC BU2382FV CLOCK GENERATOR	CP-1	NEW
IC121	VC778100	IC 28800971C [C-100] PROGRAM FLASH	CP-1	NEW
IC121	VC778300	IC 28801971B [D-370] PROGRAM FLASH	CP-1	NEW
IC141	VC747800	IC SN74LV245ADB BUFFER	CP-1	
IC144	VC733000	IC PST9128NR	CP-1	
IC171	VC748800	IC LV4137W LCD DRIVER	CP-1	
IC173	VC740300	IC TK11330BM REGULATOR	CP-1	
IC301	VC778200	IC UPD780022AGK-B36-9ET MICRO PROCESSOR	CP-1	NEW
IC302	VC727100	S-8423NFS BATTERY BACKUP	CP-1	
IC501	VC776000	IC BD9731KV	CP-1	
IC502	VC734800	IC TC7S08FU	CP-1	
IC902	VC777700	IC TC74VHC04FT (H.DRIVER)	CP-1	NEW
IC904	VC737100	IC LR366854	CP-1	
IC905	VC776200	IC AD9806KST	CP-1	
IC909	VC732900	IC TK11331BM	CP-1	
IC951	VC775900	IC LB1931T SHUTTER DRIVER	CP-1	
JK851	VC857100	SOCKET,DC	TB-1	
PR501	VC865800	FUSE 32V 2A	CP-1	
PR502	VC775400	FUSE 32V 1.5A	CP-1	
PR503	VC865900	FUSE 32V 1A	CP-1	
Q1301	VC620000	TR UMD3N	CP-1	
Q1305	VC625400	TR UMH2N	CP-1	
Q1501	VC621400	TR 2SA1774 R	CP-1	
Q1502	VC621400	TR 2SA1774 R	CP-1	
Q1601	VC617500	TR DTC114EUA	CP-1	
Q1601	VC621700	TR UN5211	CP-1	
Q1601	VC617100	TR 2SC4398	CP-1	
Q1602	VC609400	TR 2SA1745-7	CP-1	
Q1602	VC609500	TR 2SA1745-6	CP-1	

## PARTS LIST

C-100/D-370

REF NO	PARTS NO	DESCRIPTION	REMARKS	NOTE
Q1705	VC607800	TR 2SB1218A-R	CP-1	
Q1705	VC618400	TR 2SA1576A-R	CP-1	
Q1706	VC618200	TR DTC144EUA	CP-1	
Q1706	VC609300	TR UN5213	CP-1	
Q1706	VC604100	TR 2SC4396	CP-1	
Q3002	VC607900	TR 2SD1819A-R	CP-1	
Q3002	VC603200	TR 2SC4081-R	CP-1	
Q3003	VC622300	TR DTA124EUA	CP-1	
Q3003	VC615300	TR UN5112	CP-1	
Q3003	VC603600	TR 2SA1677	CP-1	
Q3004	VC622300	TR DTA124EUA	CP-1	
Q3004	VC615300	TR UN5112	CP-1	
Q3004	VC603600	TR 2SA1677	CP-1	
Q5001	VC619300	TR CPH3109	CP-1	
Q5002	VC621400	TR 2SA1774 R	CP-1	
Q5003	VC618600	TR 2SC4617 R	CP-1	
Q5004	VC616900	TR UMC2N	CP-1	
Q5005	VC622000	TR 2SA2018	CP-1	
Q5006	VC616700	TR UMH11N	CP-1	
Q5007	VC619700	TR CPH5701	CP-1	
Q5008	VC619300	TR CPH3109	CP-1	
Q5010	VC618900	TR DTA114YE	CP-1	
Q5011	VC618600	TR 2SC4617 R	CP-1	
Q5013	VC625500	TR CPH5703	CP-1	
Q5014	VC622000	TR 2SA2018	CP-1	
Q5015	VC618700	TR DTC114EE	CP-1	
Q5016	VC615900	TR UMY1N	CP-1	
Q5017	VC619800	TR FTS2005	CP-1	
Q5018	VC619700	TR CPH5701	CP-1	
Q5401	VC618800	TR DTC123JE	CP-1	
Q5402	VC618700	TR DTC114EE	CP-1	
Q5405	VC619200	TR CPH3205	CP-1	
Q5406	VC619300	TR CPH3109	CP-1	
Q5407	VC618600	TR 2SC4617 R	CP-1	
Q5409	VC622100	TR CY25AAJ-8	CP-1	
Q9001	VC614700	TR 2SC4399-4	CP-1	
Q9001	VC602900	TR 2SC4399-5	CP-1	
Q9002	VC607900	TR 2SD1819A-R	CP-1	
Q9002	VC603200	TR 2SC4081-R	CP-1	
Q9004	VC607900	TR 2SD1819A-R	CP-1	
Q9004	VC603200	TR 2SC4081-R	CP-1	
Q9005	VC607900	TR 2SD1819A-R	CP-1	
Q9005	VC603200	TR 2SC4081-R	CP-1	
Q9041	VC617500	TR DTC114EUA	CP-1	
Q9041	VC621700	TR UN5211	CP-1	
Q9041	VC617100	TR 2SC4398	CP-1	

## PARTS LIST

C-100/D-370

REF NO	PARTS NO	DESCRIPTION	REMARKS	NOTE
Q9501	VC617500	TR DTC114EUA	CP-1	
Q9501	VC621700	TR UN5211	CP-1	
Q9501	VC617100	TR 2SC4398	CP-1	
S3001	VC863300	SWITCH,PUSH 1P-1TX1	CP-1	
S3002	VC876500	SWITCH,PUSH	CP-1	
S3003	VC876500	SWITCH,PUSH	CP-1	
S3004	VC876500	SWITCH,PUSH	CP-1	
S3005	VC876500	SWITCH,PUSH	CP-1	
S3006	VC876500	SWITCH,PUSH	CP-1	
S3007	VC876500	SWITCH,PUSH	CP-1	
S3501	VC877400	SWITCH,PUSH 1P-2TX1	TB-2	NEW
T5001	VC877600	TRANS,POWER,PULSE	CP-1	NEW
T5002	VC877700	TRANS,POWER,PULSE	CP-1	NEW
T5003	VC862400	TRANS,POWER,PULSE	CP-1	
T5401	VC877200	TRANS,STEP UP	CP-1	NEW
T5402	VC861700	TRANS,STEP UP	CP-1	
X1101	VC857600	OSC,CRYSTAL 14.31818MHZ	CP-1	
X1101	VC864500	OSC,CRYSTAL 14.31818MHZ	CP-1	
X1701	VC861600	OSC,CRYSTAL 3.579545MHZ RIVER	CP-1	
X3001	VC876800	OSC,CERAMIC 4.00MHZ	CP-1	
X3002	VC818600	OSC CRYSTAL 32.768KHZ	CP-1	
	VC264700	SCR S-TPG PAN PCS 1.7X3.5 SMART-MEDIA	CP-1	
	VC167000	SPACER SHEET	CP-1	NEW
	VE3591	SERIAL NUMBER SEAL FOR OE (Made in Japan)		
	VE3599	SERIAL NUMBER SEAL FOR OE (Made in Korea)		
	VE3595	SERIAL NUMBER SEAL FOR OE (Made in Indonesia)		
	VE3590	SERIAL NUMBER SEAL FOR OAI (Made in Japan)		
	VE3598	SERIAL NUMBER SEAL FOR OAI (Made in Korea)		
	VE3594	SERIAL NUMBER SEAL FOR OAI (Made in Indonesia)		
	VE3589	SERIAL NUMBER SEAL FOR OJ (Made in Japan)		
	VE3597	SERIAL NUMBER SEAL FOR OJ (Made in Korea)		
	VE3593	SERIAL NUMBER SEAL FOR OJ (Made in Indonesia)		